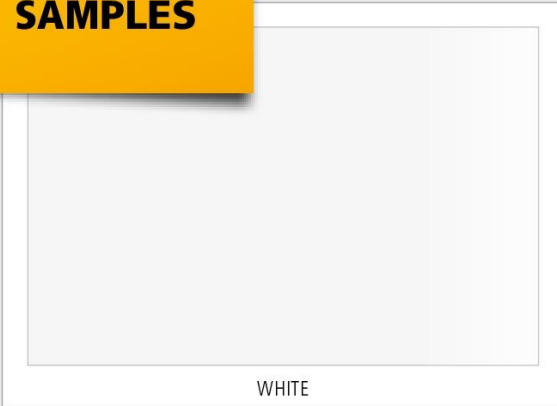


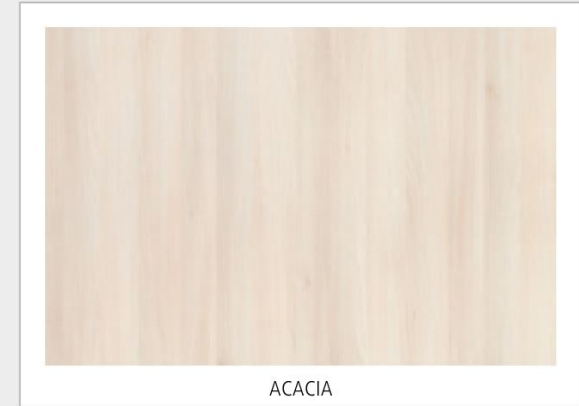
**COLOUR
SAMPLES**



WHITE



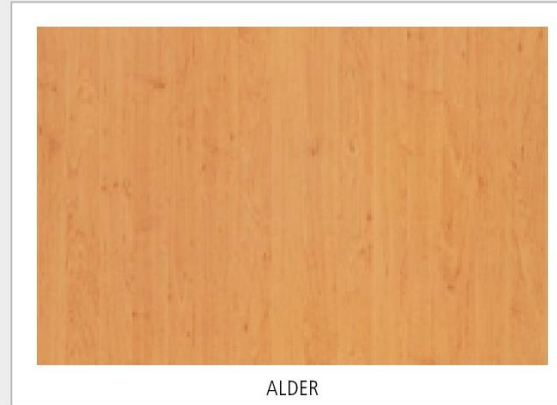
GREY



ACACIA



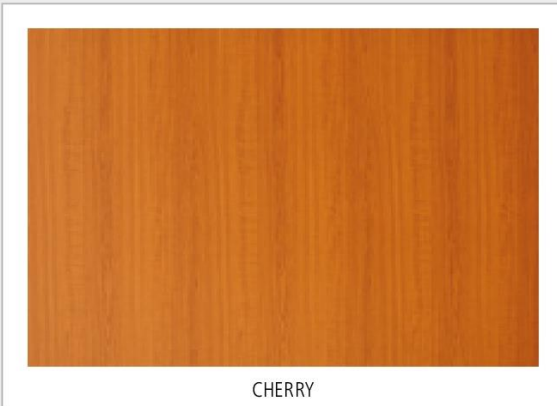
BEECH



ALDER



SOUR CHERRY



CHERRY



CALVADOS



NUT

Clean lines and simple construction.

Desktops

The HOBIS Uni worktop desks form simple straight lines. To further enhance comfort, we also offer corner versions with ergonomically shaped desktops that comply with the ČSN EN 527-1 standard.

The desktop is 25mm thick with 2mm ABS edges, which protect the desk against damage. A practical bushing takes care of PC and desk lamp cables, guiding them under the desktop where they are hidden in cleverly constructed trays. So you can be sure that cables will not get tangled and will not bother you during work.

The desk structure meets strict quality and ergonomic demands (ČSN EN 527-1) and complies with ČSN EN 527-2, ČSN 910001, ČSN 910100, ČSN EN 12521 and ČSN EN 15372.

Legs

The metal base consists of feet made of a square profile of 50 × 50 mm and connecting members with a cross section of 40 × 20 mm. Together they form a self-supporting solid base. The feet are fitted with a height adjustment that allows you to level the table by up to 15 mm in the case of an uneven floor. The offer of Uni desks contains also so-called double bases where one base forms the basis for 2 opposite workplaces. With this solution, you obtain considerable savings compared to two conventional desks. The possibility of generous extension of the workspace is offered by so-called chaining. This is the lateral connection of the desks, creating an L-shaped workplace. The foot is not used at the joint and this gives you free space for your legs under both desks. The desks US (USD, UJ) 1600 and 1800 offer the possibility to connect chaining desks.

Completely hidden cables

All-metal base

Economical chaining system

Assembly

The HOBIS Uni series offers a total of 40 elements. Very simple assembly is an indispensable advantage of this desk series. Efficiency of transport to your office is ensured by delivering individual parts of the desk securely packed. The package includes a clear instruction manual.



- 2 Gate
- 10 Uni
- 18 Cross
- 26 Flex
- 34 Pedestals
- 36 Desk accessories
- 40 Motion / Ergo

DESKS





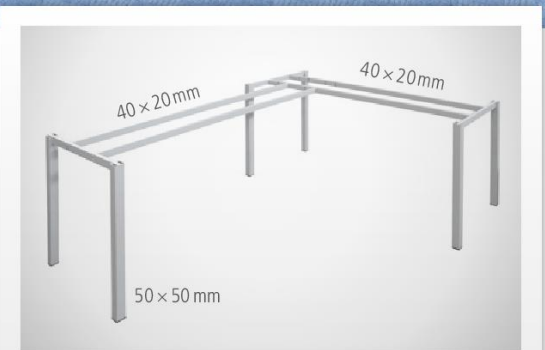
HOBIS UNI white – white



Solid structure of the desk always guarantees excellent stability



The double base is the basis for two opposite workplaces



Lateral chaining generously extends your L-shaped workspace



HOBIS UNI alder - alder



Longitudinal chaining means saving money and more space under the desk



You can replace the cable gland with the **connection module** without having to adjust the desk



Connection modules of various types are handy and practical

WORKING DESKS d. 80 cm



US 800 80 × 75,5 × 80



US 800 R 80 × 75,5 × 80



US 1200 120 × 75,5 × 80



US 1200 R 120 × 75,5 × 80



US 1400 140 × 75,5 × 80



US 1400 R 140 × 75,5 × 80



US 1600 160 × 75,5 × 80



US 1600 R 160 × 75,5 × 80



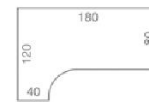
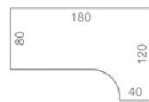
US 1800 180 × 75,5 × 80



US 1800 R 180 × 75,5 × 80



UE 1800 L 180 × 75,5 × 120 (80 × 40)



UE 1800 P 180 × 75,5 × 120 (40 × 80)

DOUBLE WORKING DESKS d. 160 cm (2 × 80 cm)



USD 1200 120 × 75,5 × 160



USD 1200 R 120 × 75,5 × 160



USD 1400 140 × 75,5 × 160



USD 1400 R 140 × 75,5 × 160



USD 1600 160 × 75,5 × 160



USD 1600 R 160 × 75,5 × 160



USD 1800 180 × 75,5 × 160



USD 1800 R 180 × 75,5 × 160

WORKING DESKS d. 60 cm



UE 800 80 × 75,5 × 60



UE 800 R 80 × 75,5 × 60



UE 1200 120 × 75,5 × 60



UE 1200 R 120 × 75,5 × 60



UE 1400 140 × 75,5 × 60



UE 1400 R 140 × 75,5 × 60



UE 1600 160 × 75,5 × 60



UE 1600 R 160 × 75,5 × 60

LATERAL CHAINING DESKS – for desks US (USD, UJ) 1600 a 1800



US 1200 RU 120 × 75,5 × 80



US 1400 RU 140 × 75,5 × 80



US 1600 RU 160 × 75,5 × 80



UE 1200 RU 120 × 75,5 × 60



UE 1400 RU 140 × 75,5 × 60



UE 1600 RU 160 × 75,5 × 60

ACCESORIES UNI

Universal coupling and haulage angle plate for desks d. 60 cm



UL 600 7 × 2,5 × 46

Universal holder of PC



PC BELT 17 × _ × 28

Universal coupling and haulage angle plate for desks d. 80 cm



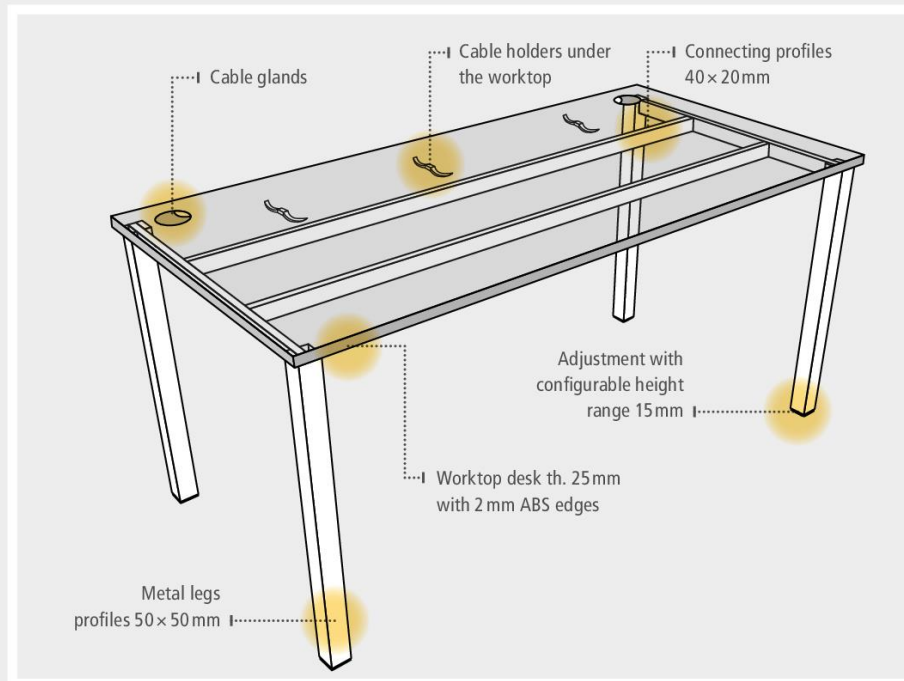
UL 800 7 × 2,5 × 66

Universal cable channel for desks 120–180 cm



KUK 120–180 × 9 × 15

UNI – TECHNICAL DESCRIPTION



MEETING DESKS – without cable glands



UJ 1400 140 × 75,5 × 80



UJ 1400 R 140 × 75,5 × 80



UJ 1600 160 × 75,5 × 80



UJ 1600 R 160 × 75,5 × 80



UJ 1800 180 × 75,5 × 80



UJ 1800 R 180 × 75,5 × 80

UNI – TECHNICAL DESCRIPTION OF LONGITUDINAL CHAINING

